

DĀLUME®

Dynamic Architectural Lumination



TESA : ARCHITECTURAL DECORATIVE PENDANT SERIES



TESA

TESA

1. Takes Compact Fluorescent, HID and incandescent.
2. Clean contemporary design blends seamlessly into architectural environments.
3. Extruded aluminum socket cap for proper heat dissipation.
4. Adjustable aircraft cable extension with chrome plated hardware.
5. Precision-formed aluminum spun reflector for enhanced optical performance.
6. Versatile mounting options allow for installation to standard electrical boxes, grid ceilings, and even track lighting.

ARCHITECTURAL PENDANTS

TESA : ARCHITECTURAL DECORATIVE

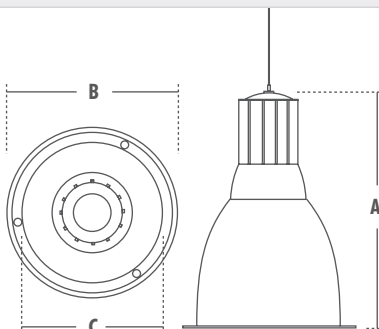
PENDANTS

6"

ARCHITECTURAL DECORATIVE PENDANT

DIMENSIONS

A: HEIGHT	9.25"
B: FLANGE O.D.	7.50"
C: OPENING	6.00"



CAT #	LAMPING	FINISH	DIFFUSER	MOUNTING		
COMPACT FLUORESCENT	DPT6F	-13 : (1)13W CFL -18 : (1)18W CFL -26 : (1)26W CFL	-W : WHITE -B : BLACK -S : SILVER	BLANK : NONE -RNG-BL : BLUE RING -RNG-FR : FROSTED RING -DSC-FR : FROSTED DISC	-CM : CEILING MOUNT [J-BOX] -TM : TRACK MOUNT -GM : GRID MOUNT [T-BAR]	
	METAL HALIDE	DPT6M	-20T4 : 20W CMH T4/G8.5 -39T4 : 39W CMH T4.5/G8.5 -39T6 : 39W CMH T6/G12 -20P30 : 20W CMH PAR20/30 -39P30 : 39W CMH PAR20/30	-W : WHITE -B : BLACK -S : SILVER	BLANK : NONE -RNG-BL : BLUE RING -RNG-FR : FROSTED RING -DSC-FR : FROSTED DISC	-CM : CEILING MOUNT [J-BOX] -TM : TRACK MOUNT -GM : GRID MOUNT [T-BAR]
		INCANDESCENT	DPT6I	-100P30 : 100W A19/PAR30	-W : WHITE -B : BLACK -S : SILVER	BLANK : NONE -RNG-BL : BLUE RING -RNG-FR : FROSTED RING -DSC-FR : FROSTED DISC

- DECORATIVE LUMINAIRE
- VARIOUS LAMP SOURCES

FEATURES :

VARIOUS LAMP SOURCES
TESA takes Compact Fluorescent, HID and Incandescent lamp sources.

CONTEMPORARY DESIGN
Clean contemporary design blends seamlessly into architectural environments.

SOCKET CAP
Extruded aluminum socket cap houses high voltage rated porcelain sockets. Finned sides for proper heat dissipation.

AIRCRAFT CABLE
96" Adjustable aircraft cable extension with chrome plated hardware. Can be adjusted on the field with standard tools.

REFLECTOR
Precision-formed aluminum spun satin-haze reflector for enhanced optical performance and low visual glare.

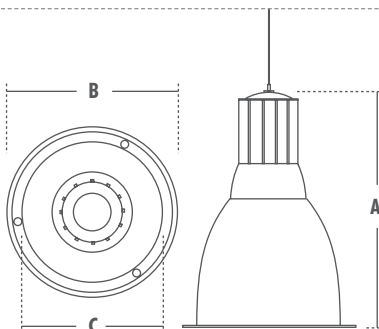
MOUNTING
Can be mounted to standard electrical junction boxes, grid system T-bar ceilings, and even 3-wire H-type track lighting channels.

8"

ARCHITECTURAL DECORATIVE PENDANT

DIMENSIONS

A: HEIGHT	10.50"
B: FLANGE O.D.	9.00"
C: OPENING	7.50"



CAT #	LAMPING	FINISH	DIFFUSER	MOUNTING		
COMPACT FLUORESCENT	DPT8F	-32 : (1)32W CFL -42 : (1)42W CFL	-W : WHITE -B : BLACK -S : SILVER	BLANK : NONE -RNG-BL : BLUE RING -RNG-FR : FROSTED RING -DSC-FR : FROSTED DISC	-CM : CEILING MOUNT [J-BOX] -TM : TRACK MOUNT -GM : GRID MOUNT [T-BAR]	
	METAL HALIDE	DPT8M	-39T4 : 39W CMH T4.5/G8.5 -39T6 : 39W CMH T6/G12 -70T6 : 70W CMH T6/G12 -39P30 : 39W CMH PAR20/30 -70P38 : 70W CMH PAR30/38	-W : WHITE -B : BLACK -S : SILVER	BLANK : NONE -RNG-BL : BLUE RING -RNG-FR : FROSTED RING -DSC-FR : FROSTED DISC	-CM : CEILING MOUNT [J-BOX] -TM : TRACK MOUNT -GM : GRID MOUNT [T-BAR]
INCANDESCENT		DPT8I	-150P38 : 150W A21/PAR38	-W : WHITE -B : BLACK -S : SILVER	BLANK : NONE -RNG-BL : BLUE RING -RNG-FR : FROSTED RING -DSC-FR : FROSTED DISC	-CM : CEILING MOUNT [J-BOX] -TM : TRACK MOUNT -GM : GRID MOUNT [T-BAR]