

DĀLUME[®]

Dynamic Architectural Lumination



ENERGY-CONSCIOUS ILLUMINATION FOR ARCHITECTURALLY SENSITIVE ENVIRONMENTS



1. One piece die cast aluminum trim, with no unsightly edges, perforations or folds like other square downlights.
2. Square [4x4] or rectilinear [4x9] apertures, ideal for low profile short and long CFL lamps, delivering maximum luminaire efficiency.
3. Lensed downlights reduces glare and soften light output.
4. Can be used for dry or wet locations. Other styles soon to come.
5. Two piece optics allows for excellent light control without sacrificing luminaire efficiency.
6. On board 120V/277V Energy Efficient Electronic ballast can be accessed for above or below ceiling.
7. Housing painted black to reduce stray light.
8. Architectural hanger bars allow for multiple mounting options
9. Heavy-gauge steel housing for maximum structural integrity
10. Extra Deep, 1 1/2" Throat for installation in thick or thin ceilings.

Available in

4x4 aperture & 4x9 aperture



ROVA SQUARE : ARCHITECTURAL DOWNLIGHTS

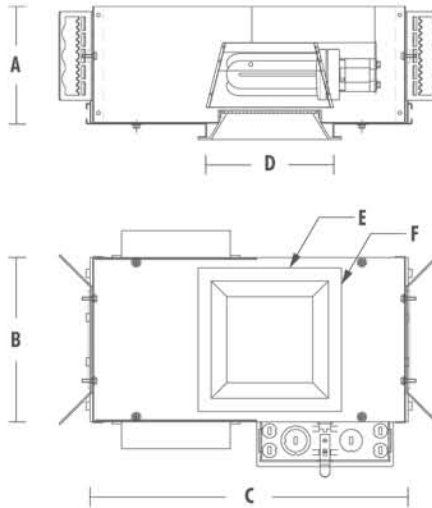
4x4 DIMENSIONS :

DIMENSIONS (HOUSING)

A: DEPTH	4.50"	(115.8mm)
B: LENGTH	6.25"	(160.0mm)
C: WIDTH	12.00"	(304.6mm)
D: CUTOUT	5" x 5"	

DIMENSIONS (TRIM)

E: LENGTH	5.50"	(139.7mm)
F: WIDTH	5.50"	(139.7mm)



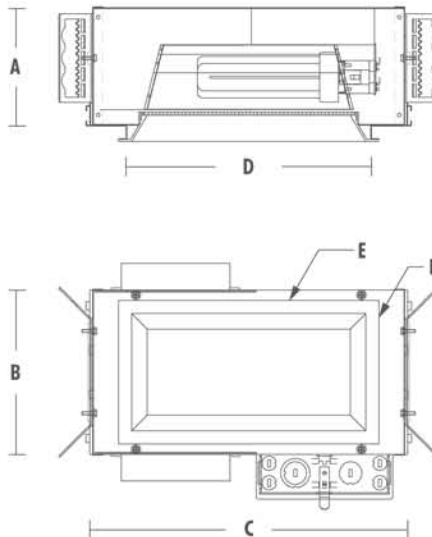
4x9 DIMENSIONS :

DIMENSIONS (HOUSING)

A: DEPTH	4.50"	(115.8mm)
B: LENGTH	6.25"	(160.0mm)
C: WIDTH	12.00"	(304.6mm)
D: CUTOUT	9.4" x 5"	

DIMENSIONS (TRIM)

E: LENGTH	10.00"	(254.0mm)
F: WIDTH	5.50"	(139.7mm)



ORDERING :

FEATURES :

APPLICATIONS

Energy efficient general lighting for architecturally enhanced environments.

FEATURES

Fully die-cast one piece trim allows for a seamless design.

OPTICS

Two-piece optical assembly provides a broad, even light distribution, combining low brightness with maximum efficiency. Supplied with micro-prismatic glass lens to provide a smooth uniform light with out striation. Independent aluminum upper reflector is die-formed for optimum lamp output.

HOUSING

Made of heavy gauge cold rolled steel to protect lamp and preserve optical alignment. Painted black to eliminate stray light leaks. Integral junction box allow for easy access for electrical maintenance.

ELECTRICAL

120V/277V 60 Hz Electronic Ballast: Inherent Thermal Protection. Accessible from below and above ceiling. Minimum starting temperature 0°C. UL/cUL Listed.

MOUNTING

Supplied with heavy duty adjustable wing-bat mounting brackets. Adjustable from above or below ceiling and accept 3/4" or 1 1/2" lathing channel, 1/2 EMT (others), or optional hanger bars.

CERTIFICATION

ETL Listed to UL/cUL standards 1598

CATALOG #	DESCRIPTION	LAMPING	BALLAST	HANGER BARS
DRV12H44F	4X4 Aperture	-118 : (1)18W DTT -126 : (1)26W DTT -132 : (1)32W TTT -142 : (1)42W TTT	Blank : 120V/277V UD : 120V/277V Dimming	/C260 : C-Channel Hanger Bars /L270 : Linear Hanger Bars
DRV12H49F	4X9 Aperture	-142 : (1)42W TTT -157* : (1)57W TTT		

* SYLVANIA LAMP ONLY