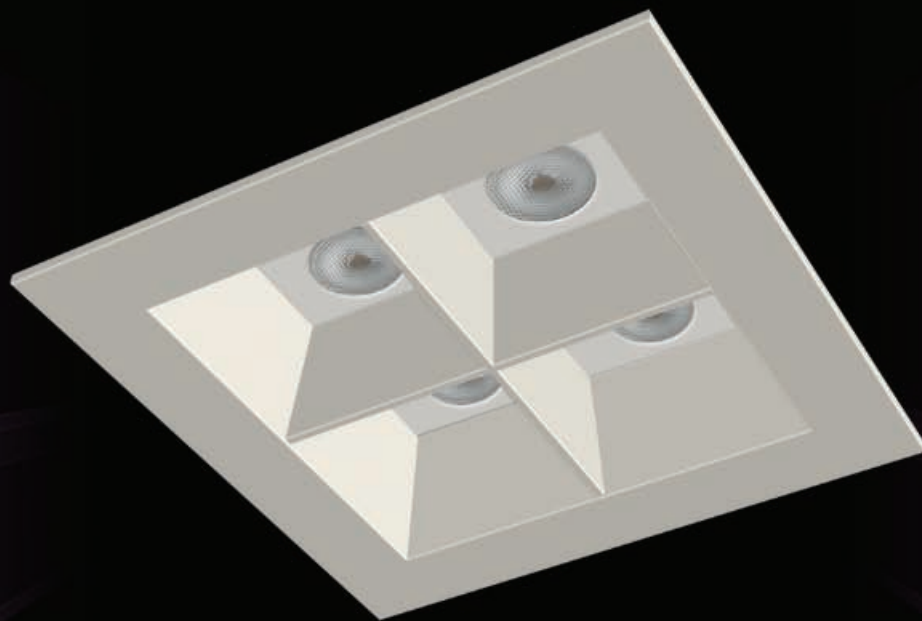


DĀLUME[®]

Dynamic Architectural Lumination



LED TECHNOLOGY | METAL HALIDE | CFL | LOW VOLTAGE

ROVA
ARCHITECTURAL RECESSED DOWNLIGHT

ROVA

ARCHITECTURAL RECESSED DOWNLIGHT



Features and Benefits

1. One piece die-cast aluminum trim, with no unsightly edges, perforations or folds like other square downlights.
2. Square [4x4] or rectangular [4x9] apertures.
3. Multiple trim options: Lensed, Open Louver, Wall-Wash.
4. Quality torsion springs allow for a secure trim/housing installation.
5. Suitable for damp locations. IC rated with CFL lampping.
6. Architectural hanger bars allow for multiple mounting options.
7. Heavy-gauge steel housing for maximum structural integrity.
8. Extra deep, 1 1/2" throat for installation in thick or thin ceilings.
9. On board ballast and power supply may be accessed from below and above ceiling.
10. Certification: ETL listed to UL/cUL Standards 1598.

4x4 Aperture



4X4 FROSTED LENS

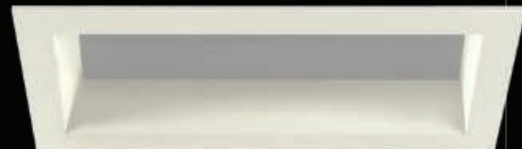


4X4 WALL WASH



4X4 OPEN LOUVER

4x9 Aperture



4X9 FROSTED LENS



4X9 WALL WASH



4X9 OPEN LOUVER



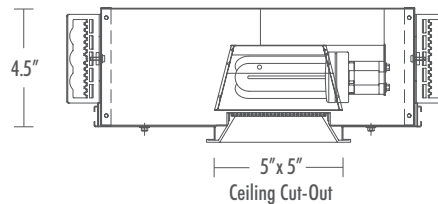
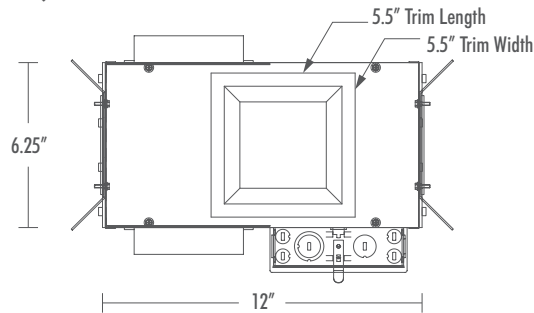
ROVA SQUARE :

CFL

DOWNLIGHTS

Energy saving compact fluorescent lamping via 120/277V electronic ballast offers an excellent green saving solution for retail, residential, commercial or architectural applications. Multiple Trim options; Lensed Downlight, Open Louver or Lensed Wall Wash create dynamic lighting concepts. IC rated for use with direct contact with loose insulation (42Watt Max). ETL/UL safety listed for use in dry and damp plenums.

CFL SQUARE DIMENSIONS :



DRV10H 44



DRV12H 44

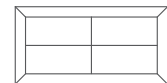
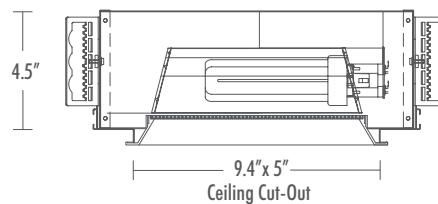
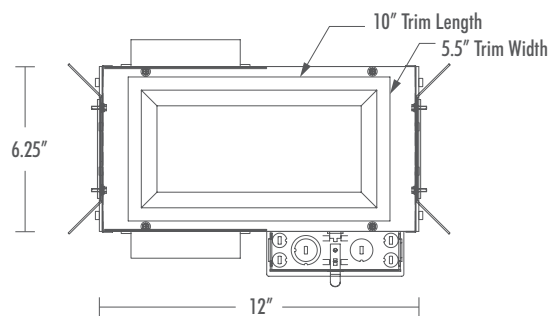


DRV13H 44

ORDERING EXAMPLE : **DRV10H 44F-142UD**

SERIES	TRIM	WATTAGE / LAMP	BALLAST
DRV	10H 44F : Open Louver 12H 44F : Lensed Downlight 13H 44F : Lensed Wall Wash	-118 : (1) 18W DTT -126 : (1) 26W DTT -132 : (1) 32W TTT -142 : (1) 42W TTT	Blank : 120V/277V Electronic UD : 120V/277V Dimming EM : Emergency Back Up

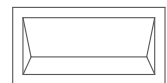
CFL RECTANGULAR DIMENSIONS :



DRV10H 49



DRV12H 49



DRV13H 49

ORDERING EXAMPLE : **DRV12H 49F-157EM**

SERIES	TRIM	WATTAGE / LAMP	BALLAST
DRV	10H 49F : Open Louver 12H 49F : Lensed Downlight 13H 49F : Lensed Wall Wash	-142 : (1) 42W TTT -157 : (1) 57W TTT*	Blank : 120V/277V Electronic UD : 120V/277V Dimming EM : Emergency Back Up

* Sylvania lamp only - Not IC Rated.

Please visit www.dalume.com for additional information such as, available Specification Sheets and Product Performances.



ROVA SQUARE :

HID

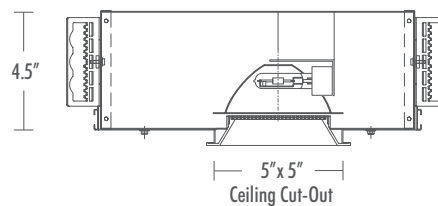
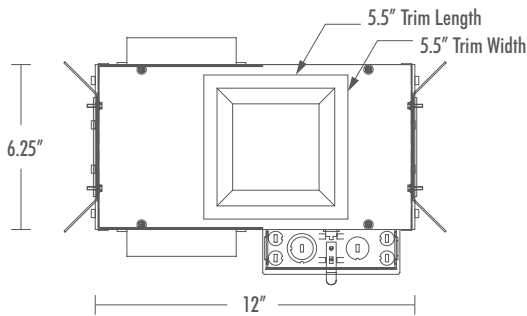
DOWNLIGHTS

3

Energy saving and long life metal halide lamping via 120V or 277V electronic ballast offers an excellent green saving solution for retail, residential, commercial or architectural applications. Multiple Trim options; Lensed Downlight, Open Louver or Lensed Wall Wash create dynamic lighting concepts. ETL/UL safety listed for use in dry and damp plenums.

4x4

HID SQUARE DIMENSIONS :

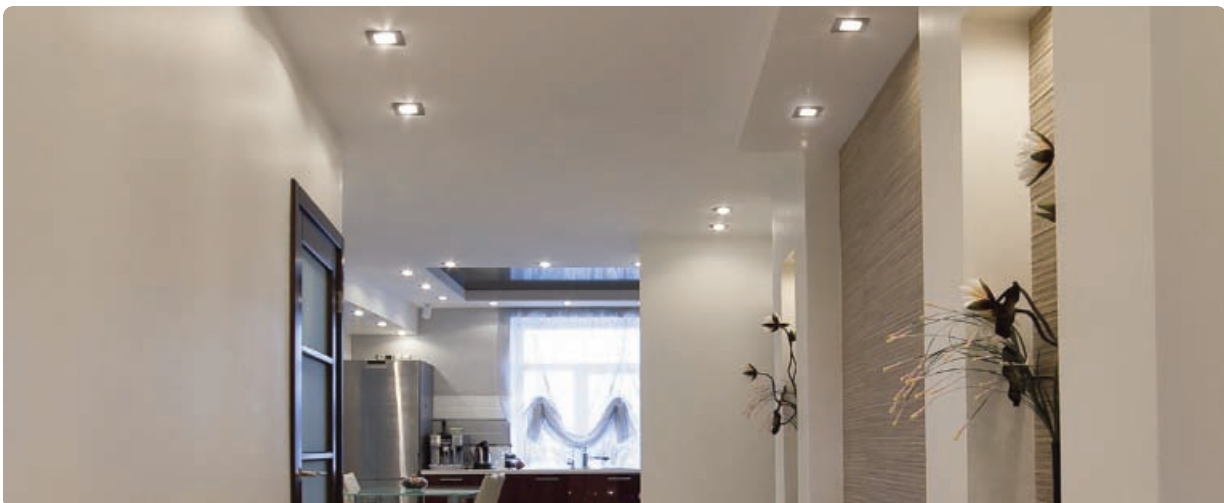


ORDERING EXAMPLE : **DRV10H 44M-39TC-277**

SERIES	TRIM	WATTAGE	LAMP	BALLAST
DRV	10H 44M : Open Louver	-20 : 20W	T : T (G12)	Blank : 120V Electronic -277 : 277V Electronic
	12H 44M : Lensed Downlight	-39 : 39W	TC : TC (G8.5)	
	13H 44M : Lensed Wall Wash	-70 : 70W		
		-20 : 20W	T4 : T4 (G6.5)	
		-39 : 39W		
		-22 : 22W	TM : TM (PGJ5)	
		-35 : 35W		

HID

APPLICATION PHOTO :



3

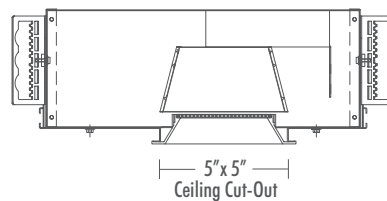
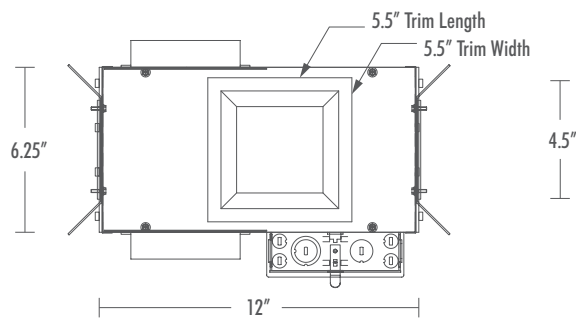
ROVA SQUARE :



DOWNLIGHTS

Advanced LED technology and precision engineering produce optimal energy savings and long life light source. Ideal for applications that require energy conservation and less maintenance due to lamp replacement. Multiple Trim options; Lensed Downlight, Open Louver or Lensed Wall Wash create dynamic lighting concepts. ETL/UL safety listed for use in dry and damp plenums.

LED SQUARE DIMENSIONS :



DRV10H 44



DRV12H 44



DRV13H 44

ORDERING EXAMPLE : **DRV12H 44L-20NW-UD**

SERIES	TRIM	WATTAGE / LAMP*	COLOR TEMPERATURE**	BALLAST
DRV	10H 44L : Open Louver 12H 44L : Lensed Downlight 13H 44L : Lensed Wall Wash	-9 : 9W -20 : 20W -30 : 30W	WW : Warm White (2800K) NW : Neutral White (3500K) CW : Cool White (5500K)	Blank : 120V Electronic -277 : 277V Electronic -UD : 120V/277V Dimming -EM : Emergency Back Up

* Due to on-going product innovation, detail lumen output will be published online at www.dalume.com. Please consult factory for assistance.
** Color Temperature listed may vary from wattage to wattage. Consult factory for details.

COST COMPARISON CHART : LED VS. HALOGEN PAR38

LAMP TYPE	L.E.D			VS.	HALOGEN PAR38	
	9W LED	20W LED	30W LED		45W PAR38	75W PAR38
LAMP SUMMARY						
LUMEN OUTPUT (TYPICAL)	400+ Lm	700+ Lm	900+ Lm		580+ Lm	950+ Lm
AVERAGE LIFE	50K	50K	50K		2.5K	2.5K
LAMP LIFE VS. LED	1	1	1		1/20	1/20
BASED ON 50K OF FIXTURE USE						
COST OF ENERGY CONSUMPTION:	\$46.89	\$104.20	\$156.30		\$234.45	\$390.75
MAINTENANCE:	\$0.00	\$0.00	\$0.00		\$360.00	\$360.00
REPLACEMENT COST:	\$0.00	\$0.00	\$0.00		\$100.00	\$100.00
COST OF USE [AFTER 50K HOURS]	\$46.89	\$104.20	\$156.30		\$694.00	\$851.00



ROVA SQUARE : LOW VOLTAGE DOWNLIGHTS

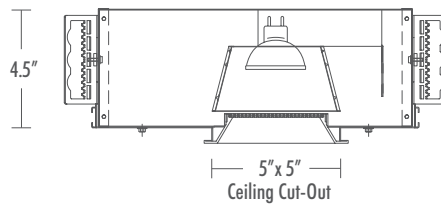
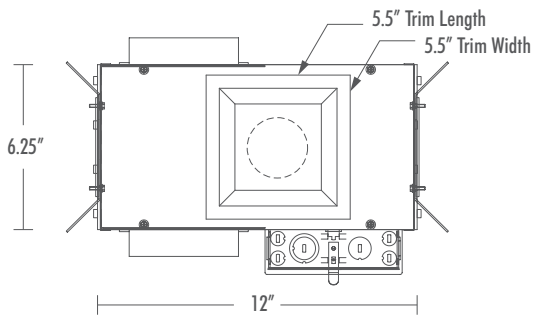
5

Low Voltage Halogen lamping via 120V or 277V quality electronic transformer offers an excellent light distribution for retail, residential, commercial or architectural applications. Multiple trim options; Lensed Downlight, Open Louver or Lensed Wall Wash create dynamic lighting concepts. IC rated for use with direct contact with loose insulation. (50 Watt Max.) ETL/UL safety listed for use in dry and damp plenums.

4x4



LOW VOLTAGE SQUARE DIMENSIONS :

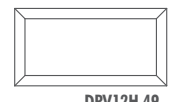
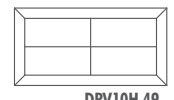
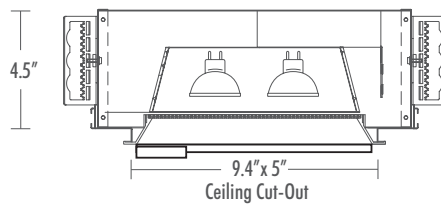
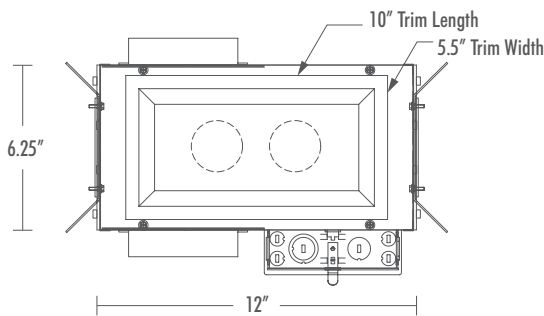


SERIES	TRIM	WATTAGE / LAMP	VOLTAGE	HANGER BARS
DRV	10H 44V : Open Louver 12H 44V : Lensed Downlight 13H 44V : Lensed Wall Wash	-50 : (1)50W MR16 -75 : (1)75W MR16	-120 : 120V -277 : 277V	/C260 : C-Channel Hanger Bars /L270 : Linear Hanger Bars

4x9

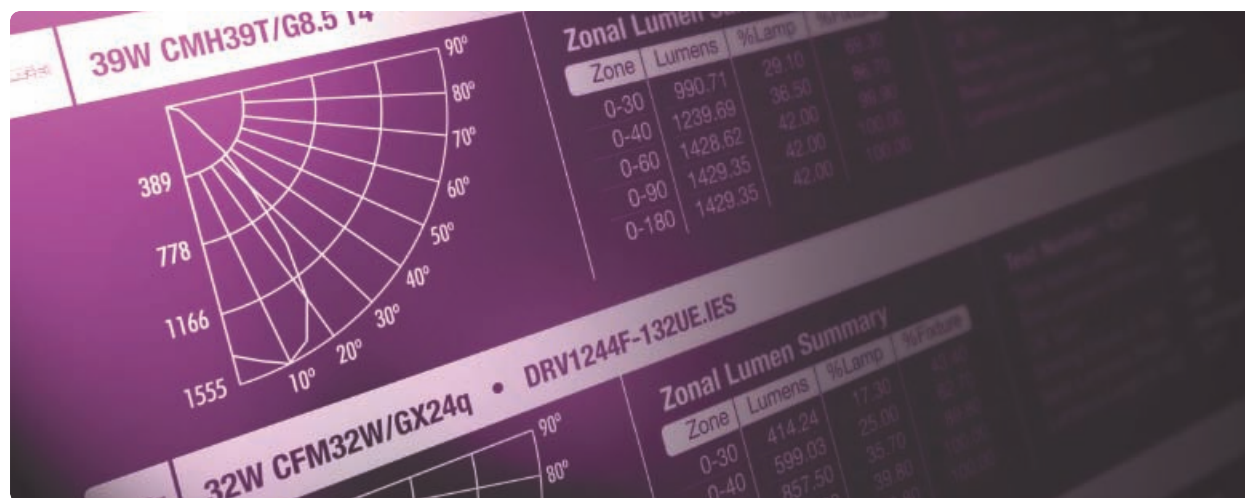


LOW VOLTAGE RECTANGULAR DIMENSIONS :



SERIES	TRIM	WATTAGE / LAMP	VOLTAGE	HANGER BARS
DRV	10H 49V : Open Louver 12H 49V : Lensed Downlight 13H 49V : Lensed Wall Wash	-50 : (2)50W MR16	-120 : 120V -277 : 277V	/C260 : C-Channel Hanger Bars /L270 : Linear Hanger Bars

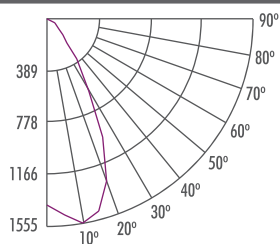
PHOTOMETRIC DATA



6

PHOTOMETRIC
---- DATA ----

39W CMH39T/G8.5 T4 • DRV12H44M-39T4.IES



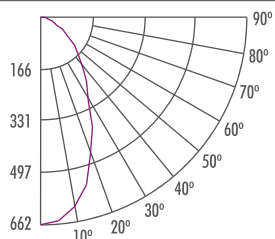
Zonal Lumen Summary

Zone	Lumens	%Lamp	%Fixture
0-30	990.71	29.10	69.30
0-40	1239.69	36.50	86.70
0-60	1428.62	42.00	99.90
0-90	1429.35	42.00	100.00
0-180	1429.35	42.00	100.00

Test Number: 42621

Total Rated Lumens	: 3400
Total Luminaire Efficiency	: 42%
CIE Type	: Direct
Spacing Criteria (0-180)	: 0.96
Basic Luminous Shape	: Rectangular
Luminous Length (0-180)	: 0.38'

32W CFM32W/GX24q • DRV1244F-132UE.IES



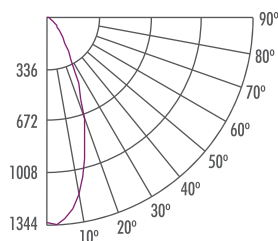
Zonal Lumen Summary

Zone	Lumens	%Lamp	%Fixture
0-30	414.24	17.30	43.40
0-40	599.03	25.00	62.70
0-60	857.50	35.70	89.80
0-90	954.93	39.80	100.00
0-180	954.93	39.80	100.00

Test Number: 42631

Total Rated Lumens	: 2400
Total Luminaire Efficiency	: 39.8%
CIE Type	: Direct
Spacing Criteria (0-180)	: 0.86
Basic Luminous Shape	: Rectangular
Luminous Length (0-180)	: 3.71'

75W 71MR16/BI-PIN • DRV12H44V.IES.IES



Zonal Lumen Summary

Zone	Lumens	%Lamp	%Fixture
0-30	593.18	49.40	68.20
0-40	729.07	60.80	83.80
0-60	848.49	70.70	97.60
0-90	869.65	72.50	100.00
0-180	869.65	72.50	100.00

Test Number: 42601

Total Rated Lumens	: 1200
Total Luminaire Efficiency	: 72.5%
CIE Type	: Direct
Spacing Criteria (0-180)	: 0.68
Basic Luminous Shape	: Rectangular
Luminous Length	: 0.25'

LAMP DATA SHOWN ABOVE IS TYPICAL. CONSULT LAMP MANUFACTURER FOR THE LATEST AVAILABLE PERFORMANCE DATA AND ADDITIONAL INFORMATION.

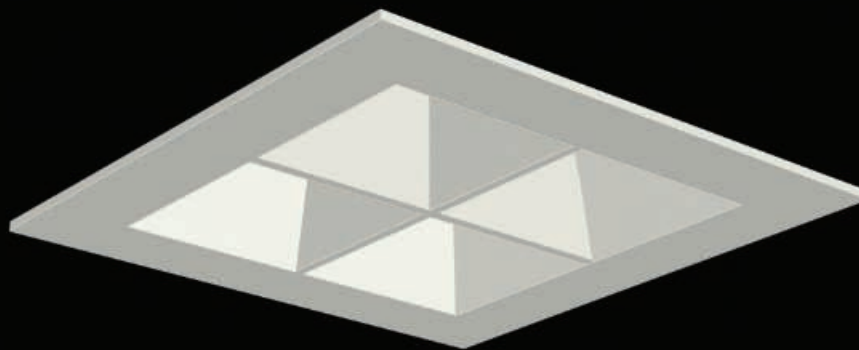
DĀLUME[®]

A Division of EEMA Lighting Group

5461 West Jefferson Boulevard
Los Angeles, California, 90016
United States

Ph. 323 904 0200
Fax. 323 904 0201
www.dalume.com

©2009 All Rights Reserved.



LITON | **LUMENTON** | **DĀLUME**
EXPERIENCE THE POWER OF LIGHT

A division of
EEMA[®]
LIGHTING GROUP